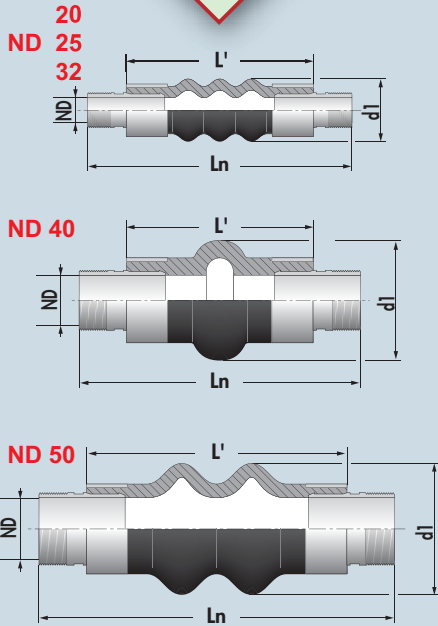


# KLEDIL®



Example of Label

**KLEDIL® CC**

DIMENSIONAL DATA							TECHNICAL DATA							
ND	NPS	Designation BSP conical Threading  (NF EN 10226)  (* former designation)	d1 mm	L' mm	L <sub>n</sub> mm	Max. permissible pressure (bar) <sup>(1)</sup>	Max. permissible vacuum (% vacuum)	Max. Permissible Movements (not concurrent)				Thrust in daN for P= 1 bar	Axial Stiffness at zero pressure in daN for 1cm axial movement	Approximate weight/Kg
								Axial		Lateral	Angular			
mm	inch							Compression 	Elongation 	Shearing 	angle 			
								L <sub>n</sub> - L <sub>c</sub> mm	L <sub>e</sub> - L <sub>n</sub> mm	R mm	α° degree			
20	3/4	R 3/4" (20x27)*	50	160	220	12	100	15	8	10	0	3	50	0.45
25	1	R 1" (26x34)*	55	160	220	9	100	15	8	10	0	4	60	0.55
32	1 1/4	R 1 1/4" (33x42)*	66	160	230	9	100	15	8	10	0	9	95	0.80
40	1 1/2	R 1 1/2" (40x49)*	94	160	230	7	70	10	10	6	0	13	130	0.95
50	2	R 2" (50x60)*	105	210	290	7	70	30	30	15	0	42	40	1.50

(1) DW grade = max. operating capabilities are W.P. 8 bar at +105 °C.

Inner lining grade	Conical threading NF EN 10226
CC Green label	Steel
DW Blue label	Stainless steel
EPC Cream label	Stainless steel
GZ Orange label	Steel

Technical Sheet  
AFD-TS- 001/2 from 07 - 03 - 2008

We reserve the right to change our products' specifications when necessary without notice

**anvis**  
GROUP

**anvis France Decize S.A.S.**  
Sales Office for Industry Sector - 2 rue du Pont Colbert - 78000 VERSAILLES - France  
Tel.: +33 (0)1 30 97 41 41 - Fax: +33 (0)1 30 97 41 01 - Web: [www.dilatoflex.com](http://www.dilatoflex.com)