

DILATOFLEX® K

AUTOSTABLE

P.E.D. 97/23/CE Cat. III



CC
Green label

GZ
Orange label

EPC
Cream label

Inner lining grades

YP
Yellow label

AR / CN
Red label

DW
Blue label

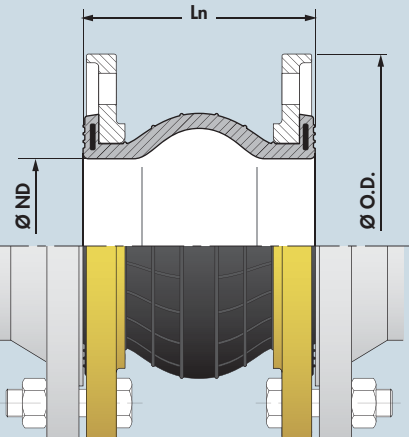
TE
Mauve label



F1
White label

PTFE liner

* see separate technical sheet



Example of Label



DIMENSIONAL DATA						TECHNICAL DATA								
Nominal Diameter	NPS	Nominal length (Ln in mm)	O.D. (mm)			Max. permissible pressure		Steel ring required for vacuum greater than ...%	Max. Permissible Movements (not concurrent)				... AUTOSTABLE ... at its equilibrium length (Lq in mm)	Approx. weight in kg (steel flanges PN10 / PN16)
			PN 10	PN 16	class 150 (PN20)	(1)	(2)		Axial	Lateral	Angular			
ND mm						T ≤ 100 °C	T > 100 °C		Compression Ln - Lc mm	Elongation Le - Ln mm	Shearing R mm	angle α° degree		
32	1 1/4	130	140	-	-	16	10	-	25	10	15	20	130	3.0
40	1 1/2	130	150	130	130	16	10	-	25	10	15	20	130	3.4
50	2	130	165	165	165	16	10	30	25	10	15	20	130	4.0
65	2 1/2	130	185	185	185	16	10	30	25	10	15	20	130	4.7
80	3	130	200	200	200	16	10	30	25	10	15	17	130	5.0
100	4	130	220	220	220	16	10	30	25	10	15	14	135	6.2
125	5	130	250	250	250	16	10	30	25	15	15	14	140	7.7
150	6	130	285	285	285	16	10	30	20	15	15	10	140	10.0
200	8	130	340	340	340	16	10	30	20	20	15	10	145	12.2
250	10	130	405	405	405	16	10	30	15	25	15	8	150	16.7
300	12	130	445	460	485	16	10	30	15	30	15	7	155	20.0

(1) Other drillings available (e.g. PN6, PN25, BS10D-E...)

Floating flanges in zinc-chromated, hot dip galvanized or stainless (304L or 316L) steel

(2) **DW grade:** W.P. 12 bar at 105°C max. for the whole range.

Its lining grade is homologated A.C.S. (sanitary conformity certification)

It falls into art. 1 item 3.2 of the PED 97/23/CE.

Technical Sheet

AFD-TS- 002/2 from 2008 - 03 - 07

We reserve the right to change our products' specifications when necessary without notice.

anvis
GROUP

anvis France Decize S.A.S.
Sales Office for Industry Sector - 2 rue du Pont Colbert - 78000 VERSAILLES - France
Tel.: +33 (0)1 30 97 41 41 - Fax: +33 (0)1 30 97 41 01 - Web: www.dilatoflex.com



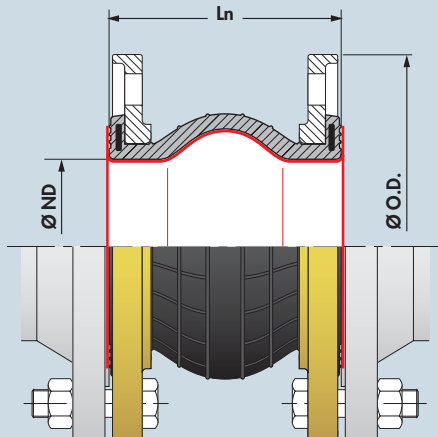
Inner lining grade

F1
White label



PTFE liner

Permissible temperature:
-35 °C up to +110 °C



Example of Label



DILATOFLEX® K

P.E.D. 97/23/CE

AUTOSTABLE
F1 grade

DIMENSIONAL DATA						TECHNICAL DATA							
Nominal Diameter	NPS	Nominal length (Ln in mm)	O.D. (mm)			Max. permissible pressure	Vacuum	Max. Permissible Movements (not concurrent)				AUTOSTABLE ... at its equilibrium length (Lq in mm)	Approx. weight in kg (steel flanges PN10 / PN16)
			PN 10	PN 16	class 150 (PN 20)			Axial	Lateral	Angular			
ND mm						bar	bar	Ln - Lc mm	Le - Ln mm	R mm	α° degree		
32	1 1/4	130	140	-		6	NO VACUUM PERMISSIBLE	10	10	8	10	130	3.0
40	1 1/2	130	150	130		6		10	10	8	10	130	3.4
50	2	130	165	165		6		10	10	8	10	130	4.0
65	2 1/2	130	185	185		6		10	10	8	10	130	4.7
80	3	130	200	200		6		10	10	8	9	130	5.0
100	4	130	220	220		6		10	10	8	7	135	6.2
125	5	130	250	250		6		10	15	8	7	140	7.7
150	6	130	285	285		6		10	15	8	5	140	10.0
200	8	130	340	340		6		10	20	8	5	145	12.2
250	10	130	405	405		6		10	25	8	4	150	16.7
300	12	130	445 460	485		6	10	30	8	4	155	20.0	

(1) Other drillings available (e.g. PN6, PN25, BS 10D-E...) ..

Floating flanges in zinc-chromated, hot dip galvanized or stainless (304L or 316L) steel

Technical Sheet
AFD-TS- 003/3 from 2008 - 11 - 04

We reserve the right to change our products' specifications when necessary without notice.

anvis
GROUP

anvis France Decize S.A.S.
Sales Office for Industry Sector - 2 rue du Pont Colbert - 78000 VERSAILLES - France
Tel.: +33 (0)1 30 97 41 41 - Fax: +33 (0)1 30 97 41 01 - Web: www.dilatoflex.com