

# DILATOFLEX® KP

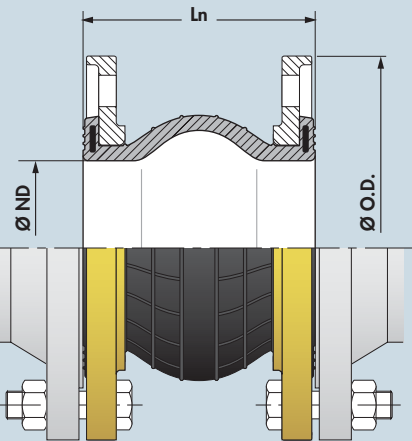
## Inner lining grades

**DW**  
Blue label

**GZ**  
Orange label



**TE**  
Mauve label



Example of Label



DIMENSIONAL DATA					TECHNICAL DATA								
Nominal Diameter	NPS	Longueur nominale (Ln en mm)	Drilling standards		Max. permissible pressure bar	Max. permissible temperature T ≤ 55 °C	Max. Permissible Movements (not concurrent)				Steel ring required for vacuum greater than ...%	... AUTOSTABLE ... at its equilibrium length (Lq in mm)	Approx. weight in kg (steel) (1)
			class 150 (PN 20)	PN 25			Axial	Lateral	Angular				
ND mm	inch						Compression Ln - Lc mm	Elongation Le - Ln mm	Shearing R mm	angle α° degree			
32	1 1/4	130	-	140	25	-	20	10	10	15	130	3.0	
40	1 1/2	130	130	150	25	-	20	10	10	15	130	3.4	
50	2	130	165	165	25	30	20	10	10	15	130	4.0	
65	2 1/2	130	185	185	25	30	20	10	10	15	130	4.7	
80	3	130	200	200	25	30	20	10	10	12	130	5.0	
100	4	130	220	235	25	30	20	10	10	9	135	6.2	
125	5	130	250	270	25	30	20	15	15	9	140	7.7	
150	6	130	285	300	25	30	15	15	10	5	140	10.0	
200	8	130	340	360	25	30	15	20	15	5	145	12.2	
250	10	130	405	425	25	30	10	20	10	4	150	16.7	
300	12	130	485	485	25	30	10	20	10	4	155	20.0	

(1) Floating flanges in zinc-chromated, hot dip galvanized or 304L stainless steel

Technical Sheet  
AFD-TS- 007/2 from 2008 - 11 - 04

We reserve the right to change our products' specifications when necessary without notice.

**anvis**  
GROUP

**anvis France Decize S.A.S.**  
Sales Office for Industry Sector - 2 rue du Pont Colbert - 78000 VERSAILLES - France  
Tel.: +33 (0)1 30 97 41 41 - Fax: +33 (0)1 30 97 41 01 - Web: [www.dilatoflex.com](http://www.dilatoflex.com)